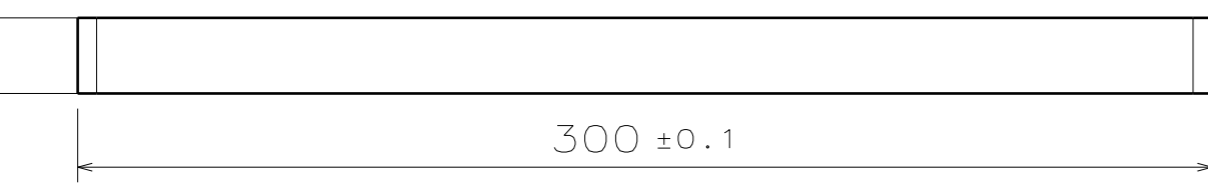
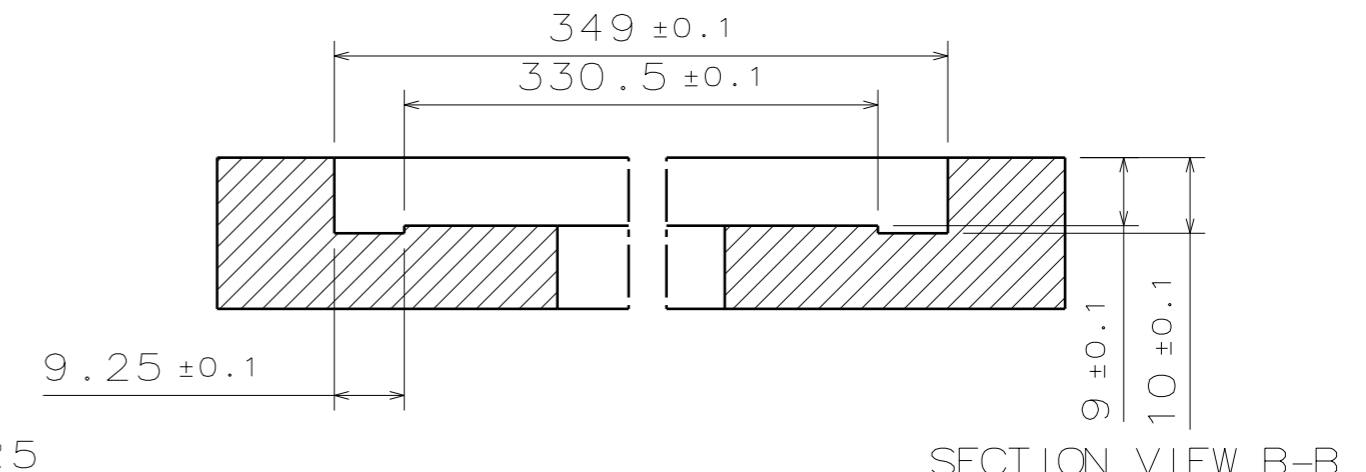
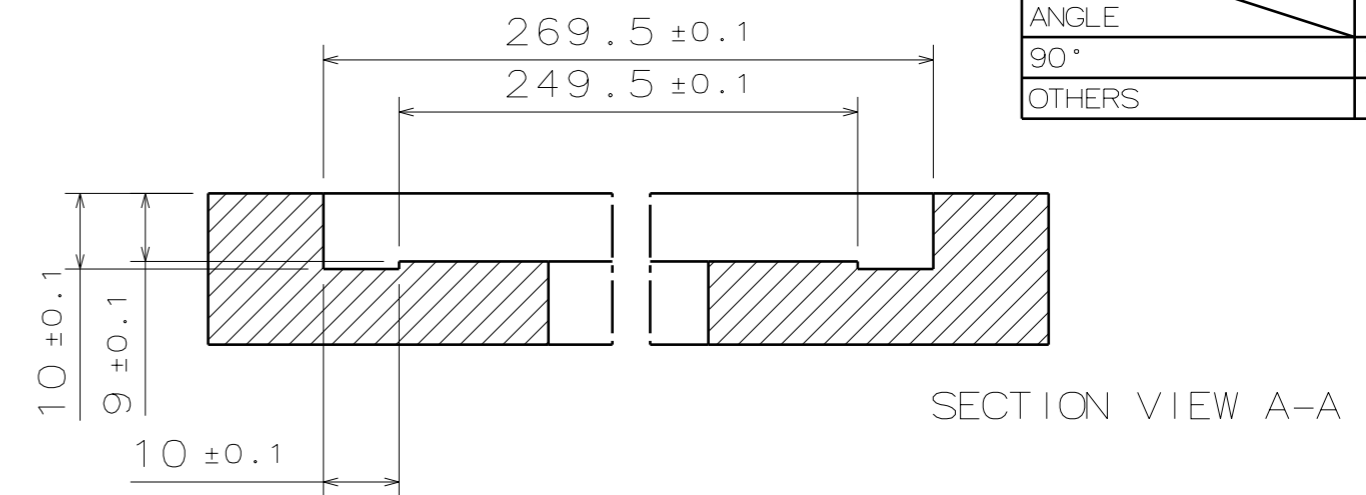
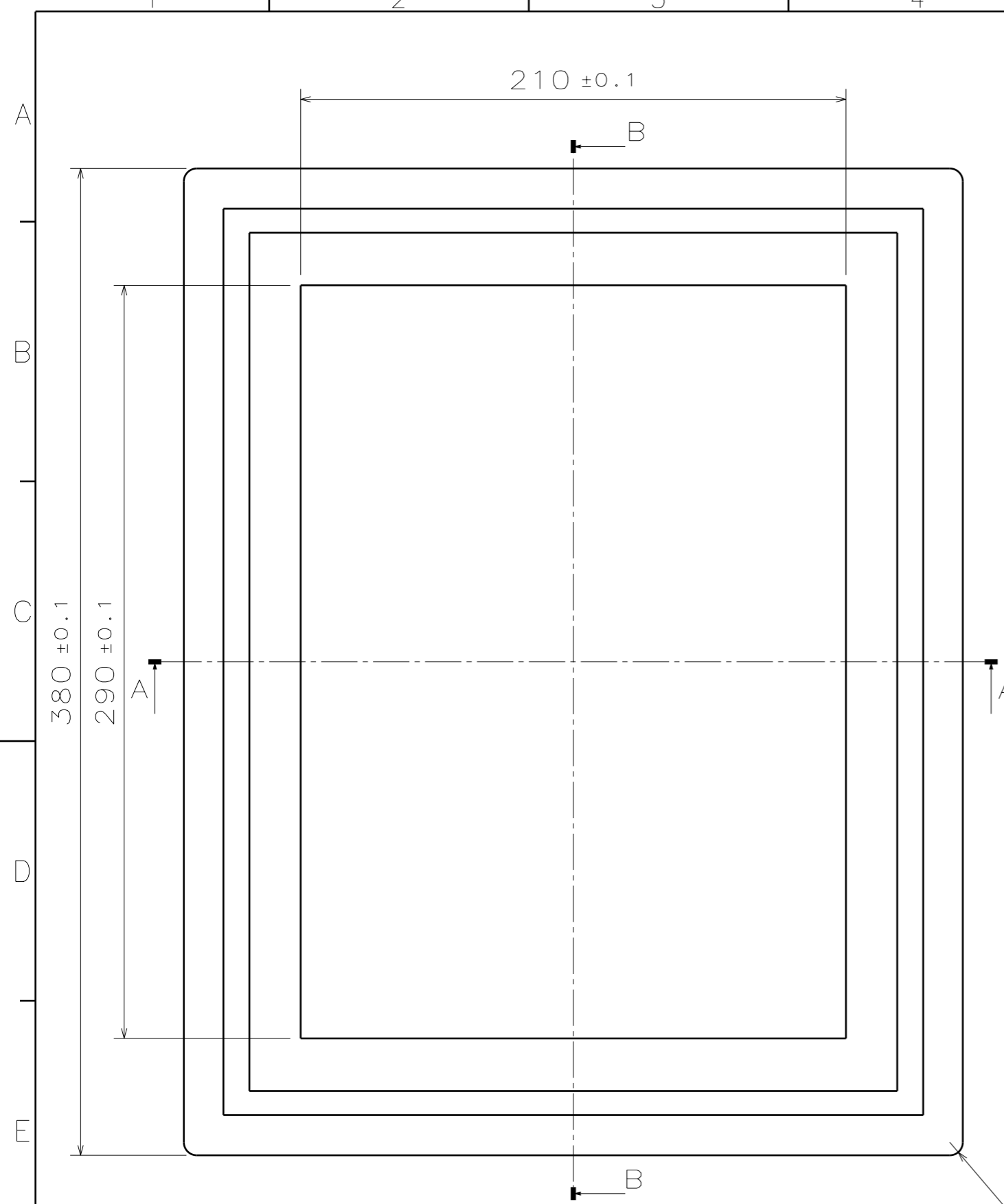


1 2 3 4 5 6 7 8

N°	DATE	CHANGE POINT	ENG. CHANGE
△			ECO*****
△			ECO*****
△			ECO*****

TOLERANCES		±
NOMINAL SIZE		
UP TO 6		0.2
6 UP TO 30		0.25
30 UP TO 120		0.45
120 UP TO 315		0.6
315 UP TO 1000		1.1
1000 UP TO 2000		1.8
TOLERANCE		±
ANGLE		
90°		1.0
OTHERS		1.5

DRAFT DRAWING



NO SURFACE TREATMENT REQUIRED - PARTS MUST BE FREE FROM MACHINING BURNS, TOOLING DENTS, BURRS ETC.
 ANY CHANGE TO MATERIAL, LOCATION OR PROCESS, MUST BE AGREED WITH PMUK. THIS COMPONENT OR ASSEMBLY (INCLUDING RAW MATERIALS) MUST COMPLY WITH THE LATEST VERSION OF THE PANASONIC CORPORATION CHEMICAL SUBSTANCES MANAGEMENT RANK GUIDELINES (FOR PRODUCTS).

SYMBOL	A3	MATERIAL	ALUMINIUM GRADE: 5052	MATERIAL MAKER		g
	SHEET				SIZE	WEIGHT
AGREEMENT	CONFIDENTIAL					PAGE
	THIS DRAWING IS SUBJECT TO COPYRIGHT AND MAY NOT BE REPRODUCED, WHOLLY OR IN PART, WITHOUT THE PRIOR WRITTEN CONSENT OF PANASONIC MANUFACTURING U.K. LTD.					OF
SCALE	1	DESIGN	L.R.T	MODIFIED	O.PINNOCK	ISSUED
	1	09.02.22		24.02.22		
		CHECKED		APPROVED		PMUK-HAD R & D
Panasonic						