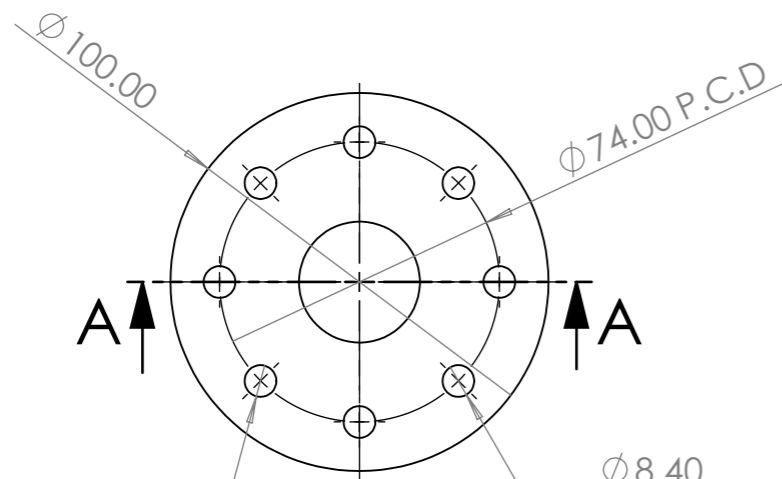
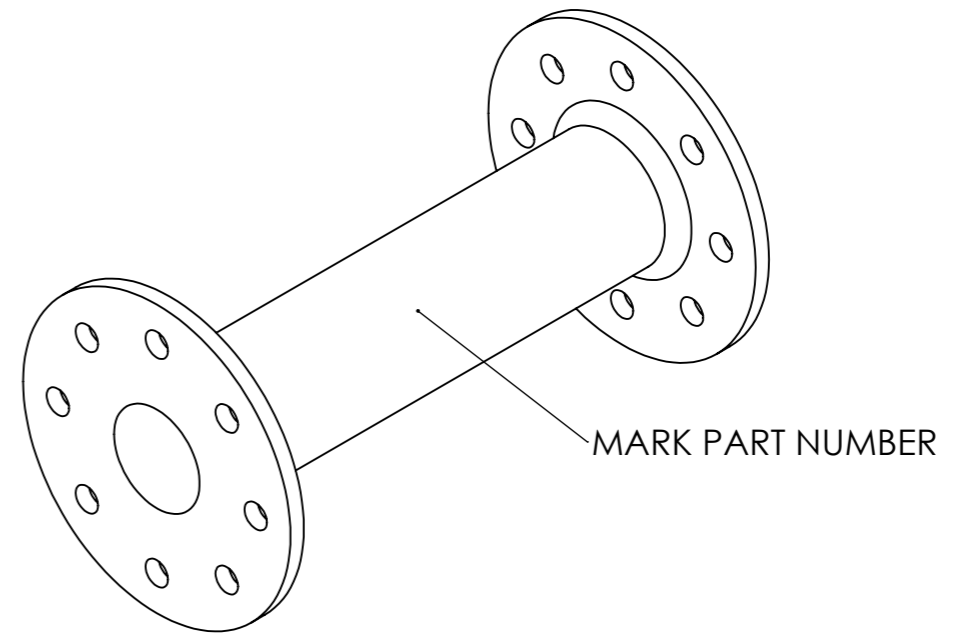
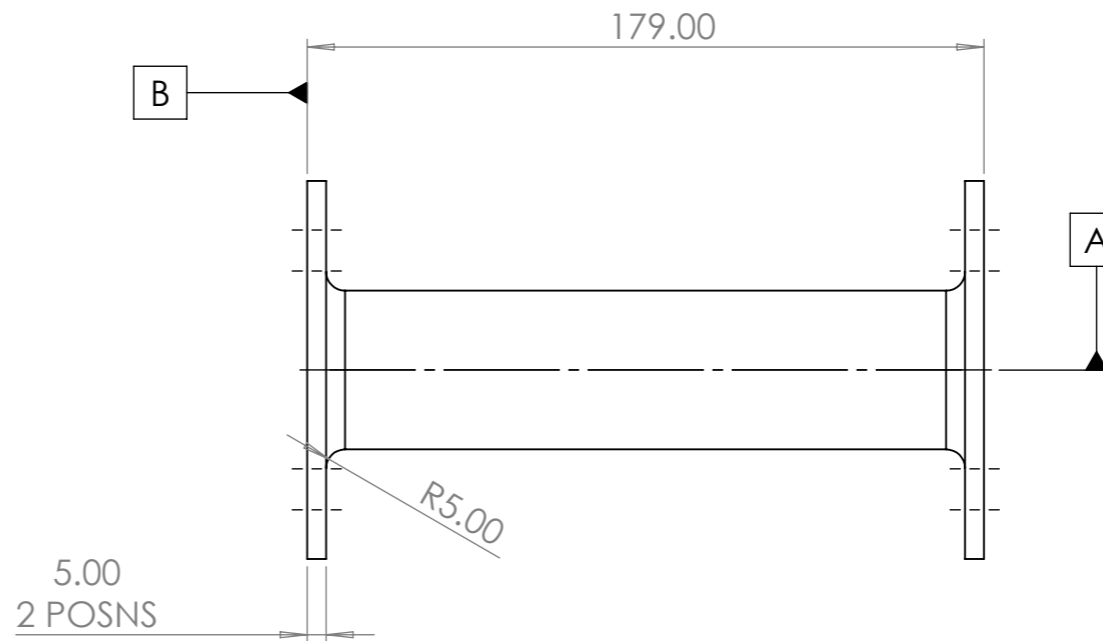


SECTION A-A



15x ϕ 8.40			
ϕ	ϕ 0.10	A	B

ϕ	ϕ 8.40	A	B
ϕ	ϕ 0.10	A	B



NOTES

1. MACHINE TO DRAWING DIMENSIONS AND CAD DATA MODEL.
2. BREAK ALL SHARP CORNERS
3. INSPECT TO DRAWING DIMENSIONS AND CAD DATA MODEL.
4. PART MARK PART NUMBER WHERE INDICATED 'XXXX'
5. BAG WITH ANTI CORROSIVE PROTECTION PRIOR TO DELIVERY.
6. ANY QUERIES/DEVIATIONS PLEASE REPORT TO SMALL SPARK D.O

UNLESS OTHERWISE SPECIFIED: DIMENSIONS ARE IN MILLIMETERS SURFACE FINISH: TOLERANCES: LINEAR: ANGULAR:		FINISH:	DEBURR AND BREAK SHARP EDGES	DO NOT SCALE DRAWING	REVISION	00
NAME	SIGNATURE	DATE		TITLE: FUEL CASING		
DRAWN	MIKE RILEY	19/10/22		DWG NO. 00003-HRT-00		
CHK'D				A3		
APPV'D				SCALE:1:2		
MFG				SHEET 1 OF 1		
Q.A			MATERIAL: STAINLESS STEEL 304	WEIGHT: 667.6g		